

AZ[®] 系列浆料用单级单吸离心泵

AZ series single stage and single suction pulp pump

参照ISO5199、ASME B73.1、API610、API682标准
Conform to ISO5199 / ASME B173.1/API610 / API682 Standard

输送介质温度-40°C~175°C
Operation temperature-40°C~175°C

挠性联轴器传动
Flexible coupling

最大工作压力2.5MPa
Max working pressure2.5MPa

泵轴及轴承25、35、45、60、75
Pump shaft and bearing25/35/45/60/75



Since 1958

浆料用泵

Pump For Pulp

主要应用于 Application

- | | |
|--|--|
| <input checked="" type="checkbox"/> 化工工业 | <input checked="" type="checkbox"/> chemical industry |
| <input checked="" type="checkbox"/> 造纸工业 | <input checked="" type="checkbox"/> pulp and paper |
| <input checked="" type="checkbox"/> 制糖工业 | <input checked="" type="checkbox"/> sugar industry |
| <input checked="" type="checkbox"/> 冶金工业 | <input checked="" type="checkbox"/> metallurgy |
| <input checked="" type="checkbox"/> 化肥工业 | <input checked="" type="checkbox"/> fertilizer |
| <input checked="" type="checkbox"/> 采盐工业 | <input checked="" type="checkbox"/> salt mining industry |
| <input checked="" type="checkbox"/> 环境保护 | <input checked="" type="checkbox"/> environment protection |

用法 Usage

这些泵被设计用于输送浓度小于8%的纸浆、不长于50mm的纤维及含固量小于30%的其他浆料,符合ISO5199标准。

These pumps are designed to transfer the pulp below 8% density, fibers less than 50mm and other liquid with the solid content below 30%, conform to ISO 5199 standard.

法兰标准 Flange standard	EN 1092-1	ASME/ANSI B16.5
公称压力 Nominal pressure	PN16	class150

材料 Material

与介质接触的过流部件,材料符合ASTM标准,常用材料如下:

Wetted parts comply to ASTM standard, common material as follows:

- | | |
|---|--|
| <input checked="" type="checkbox"/> 不锈钢 | <input checked="" type="checkbox"/> Cast stainless steel |
| <input checked="" type="checkbox"/> 铸钛 | <input checked="" type="checkbox"/> Cast titanium |
| <input checked="" type="checkbox"/> 铸镍 | <input checked="" type="checkbox"/> Cast nickel |

泵型号说明 Pump model instruction



泵运行数据 Operating data

流量 (6~1200) m³/h
扬程 (5~125) m
温度 (-40~175) °C

Flow rate (6~1200)m³/h
Total heads (5~125)m
Operating temperature (-40~175)°C

现场标准条件 Standard conditions at site

- 连续运行过程中的相对湿度不大于90%
- 环境温度不高于40°C，不低于4°C
- 海拔高度不超过1000m

- Relative humidity during continuous operation max. 90%
- Ambient temperature max.40°C, min.4°C
- Permissible altitude up to 1000m above sea level

当场地条件与上述规定不符时必须加以说明。

Deviations from the site conditions specified herein must already be disclosed in the inquiry.

流量 Flow rate

离心泵的允许运行范围取决于：

- 叶轮形状
- 转速
- 振动
- 介质特性
- 轴承及轴载荷
- 泵壳的散热及材料的抗腐蚀性
- 工况进口净压头与泵汽蚀余量

The permissible operating range of centrifugal pumps depends on:

- Impeller shape
- Speed
- Vibration
- Medium characteristics
- Bearing and shaft load
- Heat dissipation-particularly with regard to insulated volute casings and the corrosion resistance of materials
- The net positive suction head of the working condition and NPSH

适用工作范围在性能曲线和泵数据表中表示。

The operating range applicable to the pump is indicated in the individual characteristic curves and the pump data sheet.

出口压力 Outlet pressure

离心泵出口压力取决于：

- 泵入口压力
- 选定叶轮直径的最大总扬程
- 泵送介质的密度

The pump outlet pressure at the outlet nozzle depends on:

- The pump inlet pressure
- The maximum total head of the selected impeller diameter
- The density of the medium to be pumped

最大泵出口压力P2max op计算
公式如下:

$$P2max\ op = P1max\ ip + \rho * g * H * 10^{-5}$$

P2max op为最大出口压力
P1max ip为最大进口压力
 ρ 为泵送介质密度
 g 为引力常数
 H 为零流量下的最大总扬程或在
选定叶轮直径下性能曲线峰值

泵选择和运行必须确保泵出口最大
压力绝不能超过工作温度下泵
体最大允许工作压力。
这也适用于排放阀关闭时的调
试。

The maximum pump outlet pressure P2max op
is calculated using the formula:

$$P2max\ op = P1max\ ip + \rho * g * H * 10^{-5}$$

P2max op = maximum pump outlet pressure(bar)
P1max ip = maximum pump inlet pressure(bar)
 ρ = density of the medium to be pumped(kg/m³)
 g = gravitation constant(m/s²)
 H = maximum total head at zero flow or at the
peak of the pump's characteristic curve at the
selected impeller diameter(m)

Pumps must be selected and operated in a
way which ensures that the maximum pump
outlet pressure does by no means exceed the
maximum permissible operating pressure of
the casing pall wc at operating temperature.
This also applies to commissioning while the
diacharge vavle is closed(refer to fig 1).

压力和温度限制 Pressure and temperature limitations

泵体和泵盖最大工作压力取决于
工作温度:

The maximum casing operating pressure pall
wc of the casing and the casing cover
depends on the operating temperature:

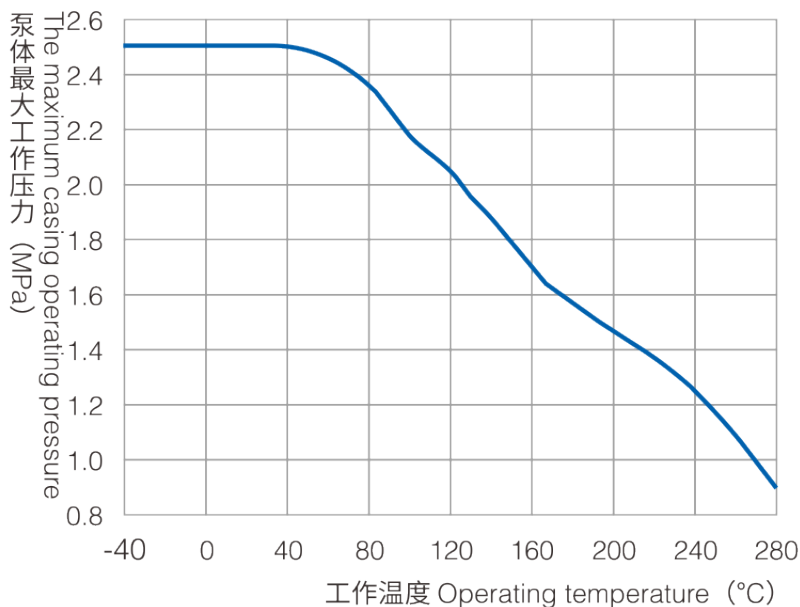


图1: 泵最大允许工作压力

Fig.1: maximum permissible casing operating
pressure pall wc.

转速和 叶轮直径限制 Speed and impeller diameter limitations

泵轴运行速度不能超过叶轮最大允许周转速，这相当于57m/s。

The operating speed of the pump shaft must not exceed the maximum permissible peripheral speed of the impeller, which corresponds to 57m/s.

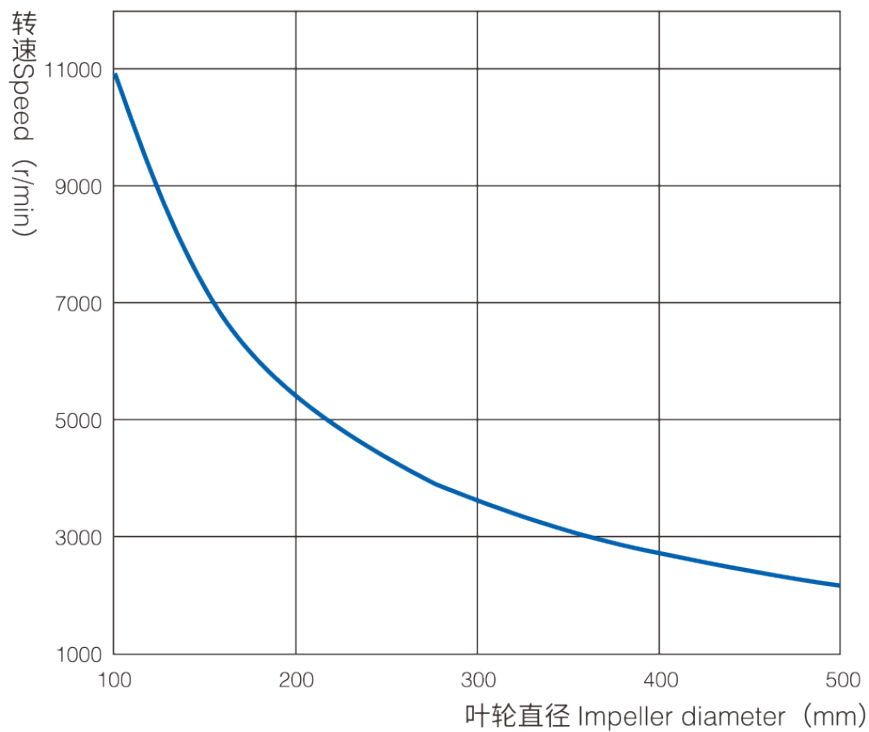


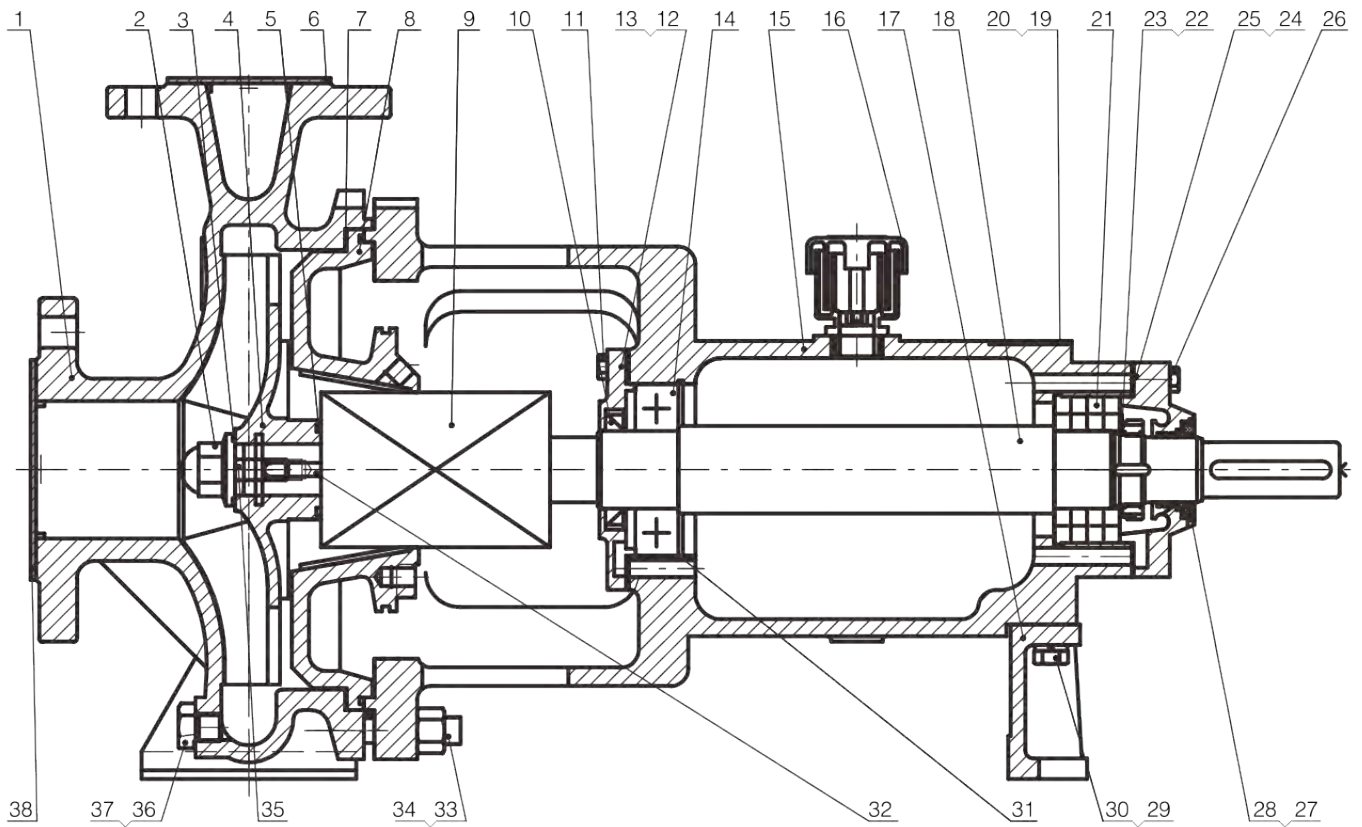
图2: 最大允许泵轴运行速度

Fig.2: maximum permissible shaft speed

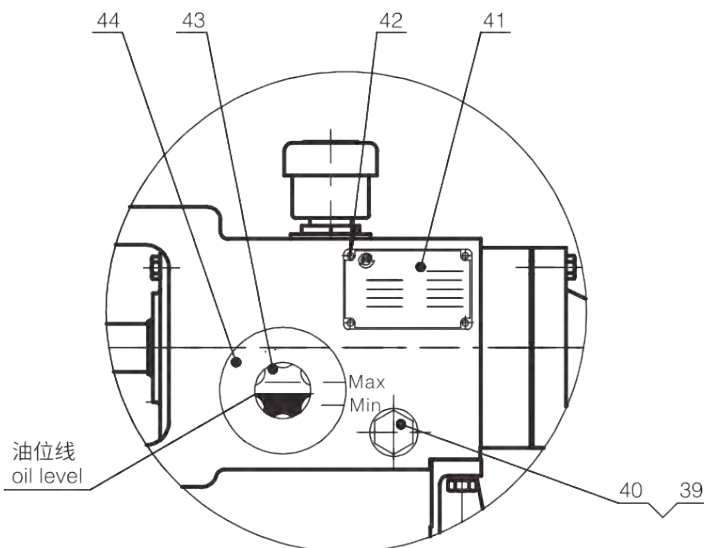
泵的结构 STRUCTURE

AZ浆料泵是一种单级单吸悬臂式离心泵，泵体为轴向吸入径向排出，泵体上铸出支撑脚，直接固定在底座上。泵盖通过止口固定在悬架体上，泵体和悬架体将泵盖夹紧。其性能尺寸符合ISO2858标准，技术要求符合ISO5199标准。

AZ series pulp pump is a centrifugal pump of horizontal, single stage, single suction, cantilever design, its performance parameters conform to ISO2858 and its technical requirement conform to ISO5199. the pump is a centrifugal pump of horizontal, axial end suction and radial discharge design. the pump cover is fixed on the frame and is clamped tightly by pump casing and frame.



- | | | |
|----------------------------|-------------------------------|-------------------------------------|
| 1 泵体 / pump casing | 11 螺栓 / bolt | 21 后轴承 / back bearing |
| 2 叶轮螺母 / impeller nut | 12 轴承前盖 / front bearing gland | 22 止动垫圈 / tab washer |
| 3 O型圈 / o-ring | 13 前盖垫 / front cover pad | 23 小圆螺母 / small round nut |
| 4 叶轮 / impeller | 14 前轴承 / front bearing | 24 后盖垫 / back cover pad |
| 5 O型圈 / o-ring | 15 悬架体 / frame | 25 轴承后盖体 / back bearing cover |
| 6 封 / seal | 16 气孔盖 / air vent cover | 26 螺栓 / bolt |
| 7 垫 / gasket | 17 支架 / bracket | 27 封水环 / ring for the sealing water |
| 8 泵盖 / pump cover | 18 轴 / shaft | 28 O型圈 / o-ring |
| 9 机械密封 / mechanical seal | 19 警示牌 / warning sign | 29 螺栓 / bolt |
| 10 骨架油封 / skeleton oil sea | 20 铆钉 / rivet | 30 弹簧垫圈 / spring washer |

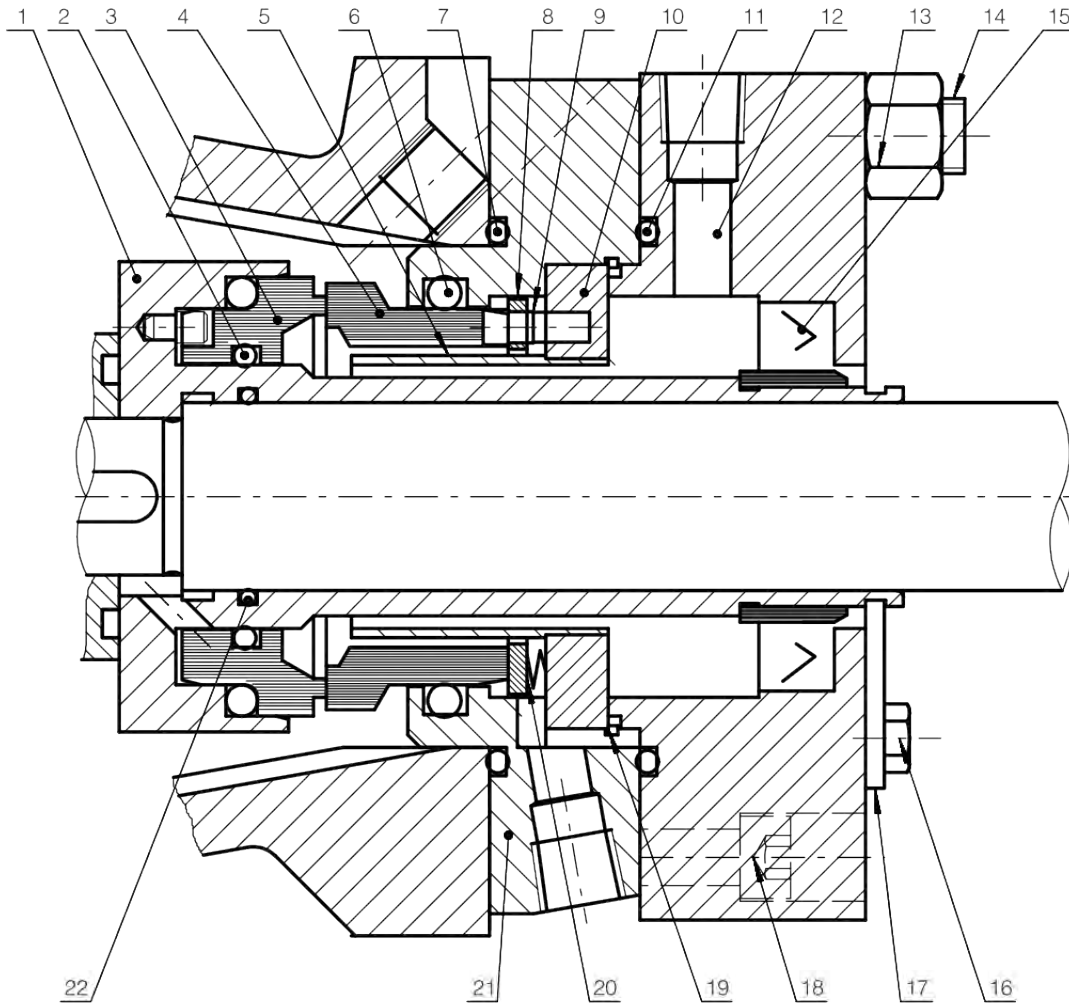


- | | |
|------------------------------|--|
| 31 孔用挡圈 / circlips for holds | 39 管堵 / pipe plug |
| 32 键 / key | 40 垫 / gasket |
| 33 双头螺柱 / double end stud | 41 铭牌 / name plate |
| 34 螺母 / nut | 42 铆钉 / rivet |
| 35 弹簧垫圈 / spring washer | 43 十字沉头螺钉 / cross recessed counter sunk head screw |
| 36 管堵 / pipe plug | 44 圆形油标 / circular oil |
| 37 垫 / gasket | |
| 38 封口 / seal | |

泵的密封

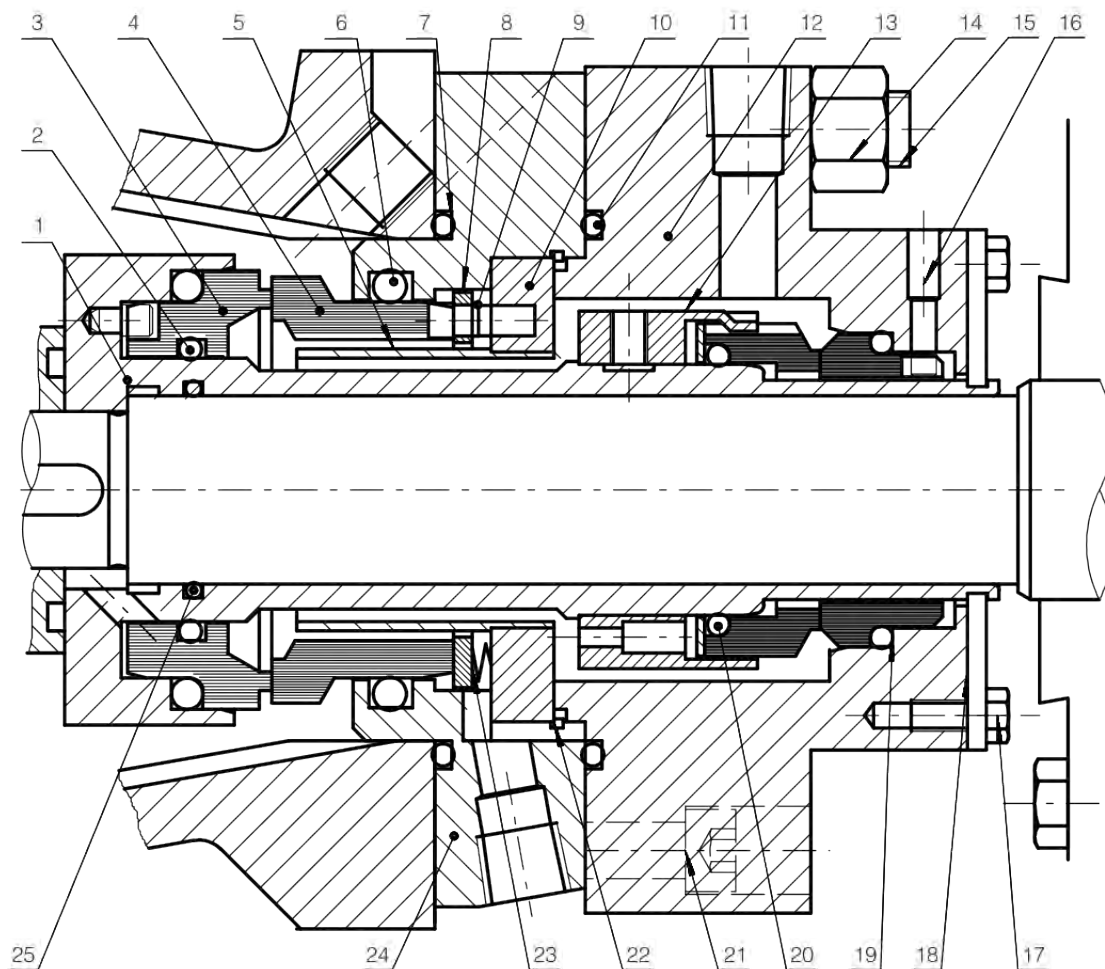
泵的轴封有本公司专利产品171C、171C/H75机封供用户选择。

For shaft seal of pump, there are patent products 171C、171C/H75 seal for your selection.



■ 171C

- | | |
|------------------------|----------------------------|
| 1 机封轴套 / shaft sleeve | 12 静环压盖 / seal end gland |
| 2 O型圈 / o ring | 13 螺母 / nut |
| 3 动环 / dynamic ring | 14 螺柱 / stud |
| 4 静环 / static ring | 15 油封 / skeleton oil seal |
| 5 冷却套 / cooling jacket | 16 螺栓 / bolt |
| 6 O型圈 / o ring | 17 偏心挡板 / eccentric baffle |
| 7 O型圈 / o ring | 18 内六角螺栓 / bolt |
| 8 推环 / thrust ring | 19 卡环 / snap ring |
| 9 防转销 / stop pin | 20 弹簧 / spring |
| 10 弹簧座 / spring seat | 21 前压盖 / gland |
| 11 O型圈 / o ring | 22 O型圈 / o ring |



■ 171C/H75

1	机封轴套 / shaft sleeve	14	螺母 / nut
2	O型圈 / o ring	15	螺柱 / stud
3	动环 / dynamic ring	16	防转销 / stop pin
4	静环 / static ring	17	螺栓 / bolt
5	冷却套 / cooling jacket	18	偏心挡板 / eccentric baffle
6	O型圈 / o ring	19	O型圈 / o ring
7	O型圈 / o ring	20	O型圈 / o ring
8	推环 / thrust ring	21	内六角螺栓 / bolt
9	防转销 / stop pin	22	卡环 / snap ring
10	弹簧座 / spring seat	23	弹簧 / spring
11	O型圈 / o ring	24	前压盖 / gland
12	机封压盖 / gland	25	O型圈 / o ring
13	机械密封 / mechanical seal		

结构优化设计，操作安全性高 维修方便，使用寿命长

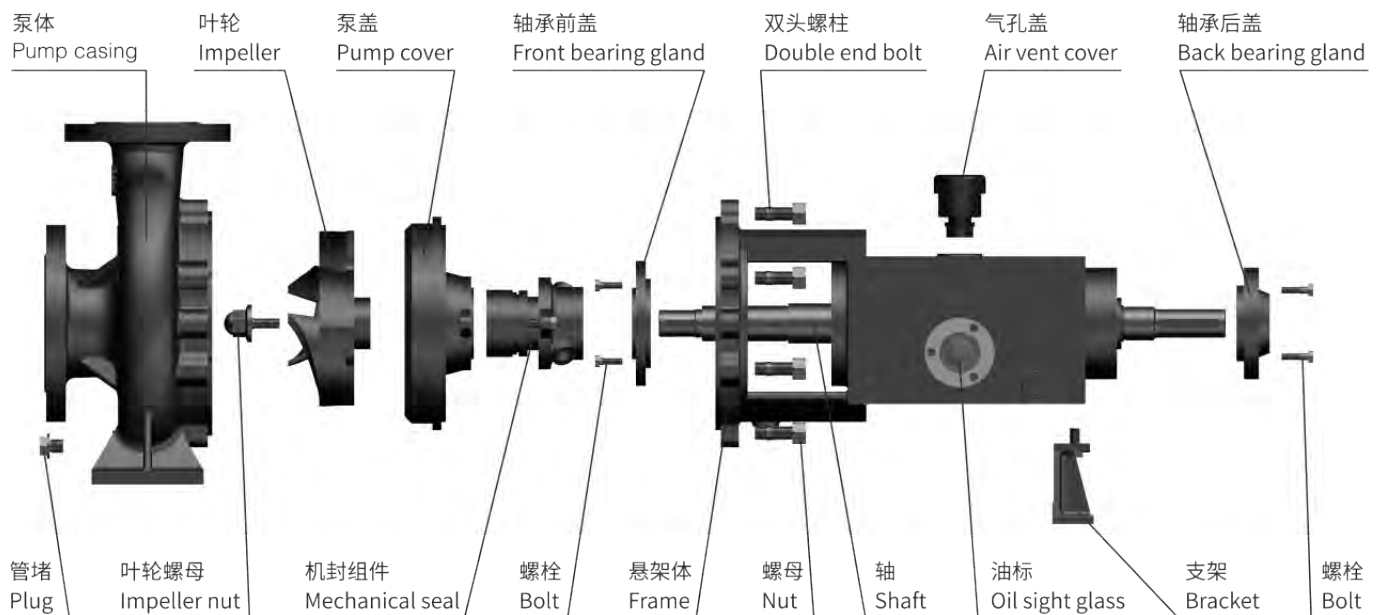
Optimized design, safe operation Easy maintenance, long running life

后开门形式，检修时无需拆卸进出口管道，灵活方便，安装简易。

产品零件高度互换，降低用户备件库存。

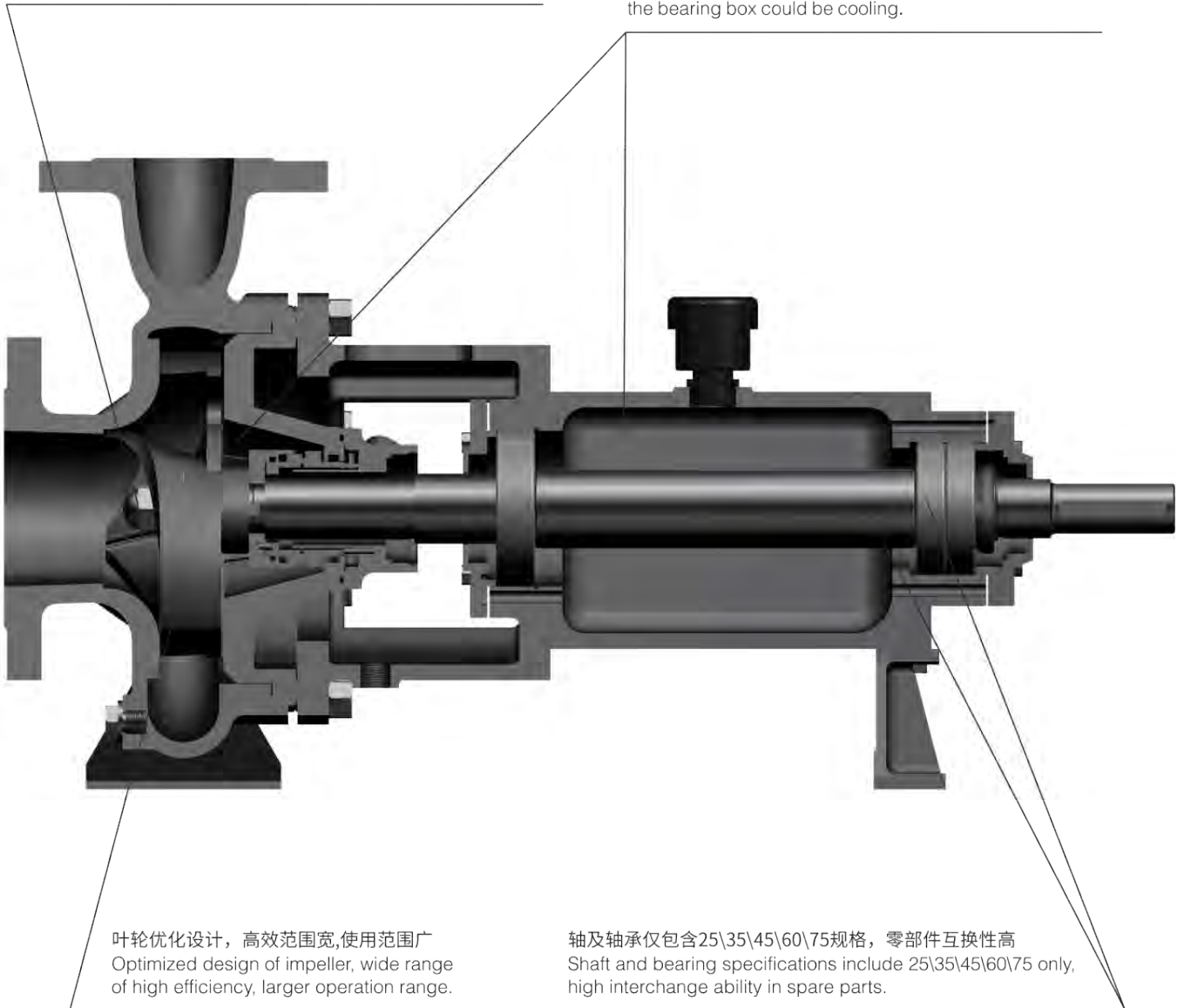
Rear door, no need to disassemble the suction and discharge pipeline during maintenance, convenient and easy installation.

Highly interchangeable in produce parts, to reduce spare parts for customers.



专用自锁紧叶轮螺母，消除叶轮螺母松脱危险
Special self-locking impeller nut, to eliminate the risk of release.

机封加热冷却可变，轴承箱可冷却
Heating or cooling of mechanical seal could be variable,
the bearing box could be cooling.



叶轮优化设计，高效范围宽，使用范围广
Optimized design of impeller, wide range
of high efficiency, larger operation range.

轴及轴承仅包含25\35\45\60\75规格，零部件互换性高
Shaft and bearing specifications include 25\35\45\60\75 only,
high interchangeability in spare parts.

双向平衡集装式锥形腔机械密封，无需调整压缩量，改善冲洗、冷却、润滑条件，延长机封使用寿命。

Bidirectional balanced mounted conical cavity seal, no need to adjust the amount of compression, improve flushing, cooling, lubrication conditions, extend the service life of mechanical seal.

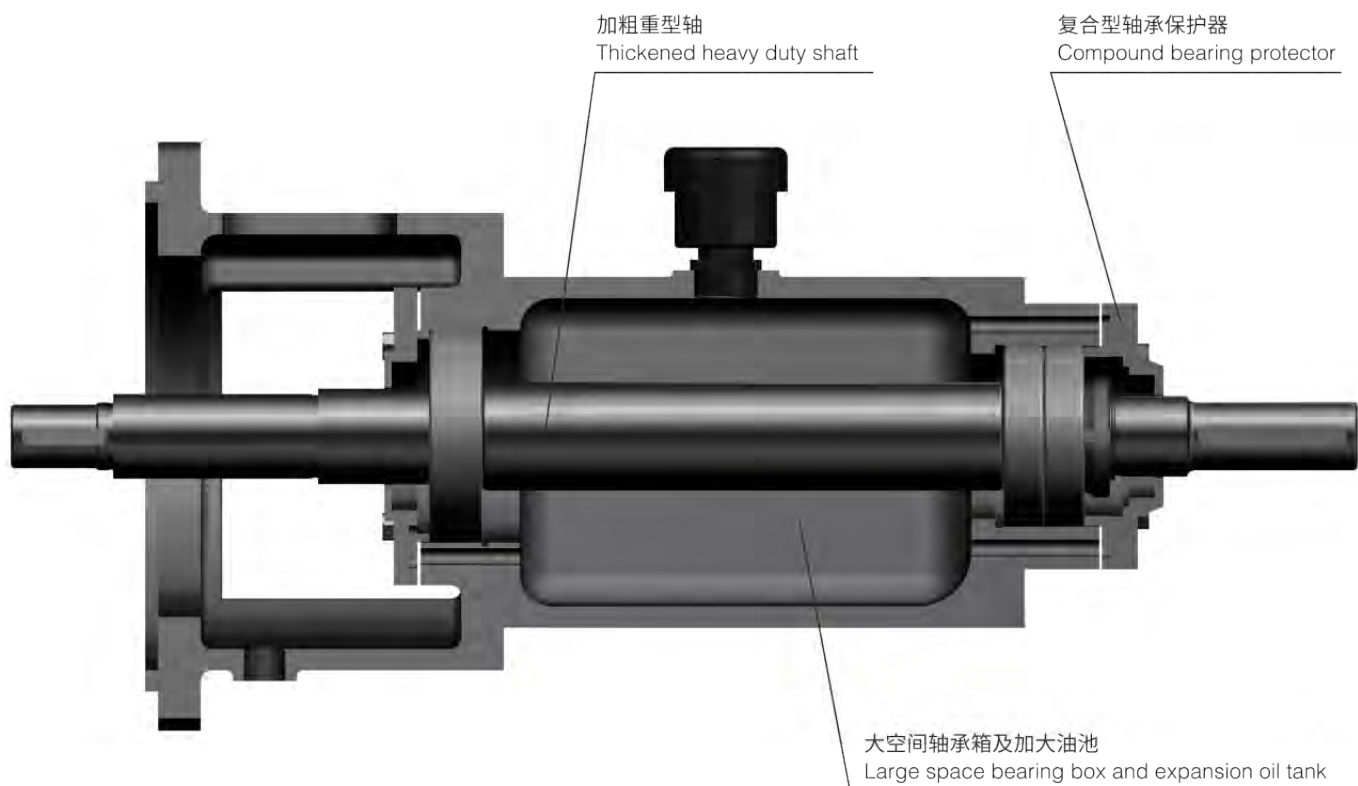
机封加热冷却可变，输送介质适应性广，提高泵型的通用性。

Heating or cooling of mechanical seal could be variable, wide adaptability, improve the general use of pump.

专用自锁紧叶轮螺母，提高泵使用可靠性，消除叶轮螺母松脱危险。

Special designed self-locking impeller nut, eliminate risk of release improve reliability.

结构优化设计，操作安全性高 维修方便，使用寿命长



加粗重型轴，加长轴承间距，提高承载能力及运行稳定性，降低维修费用及运行成本。

大空间轴承箱及油池，提高泵整体刚性，无需外加油杯，降低润滑油温升，延长轴承寿命。

复合迷宫轴承隔离器，彻底解决轴承箱漏油问题，防止进入灰尘及水，提高轴承使用寿命，运行更可靠。

Thickened heavy duty shaft, lengthen bearing space to improve the operation stability, reduce maintenance and operating cost.

Large space bearing box and oil tank, improve the overall rigidity of the pump, no need for external oil cup, reduce the temperature rise of lubrication oil, extend service life of bearing.

Compound labyrinth bearing isolator, solve the problem of oil leakage, in the bearing box, and prevent dust, water etc from entering, improve the service life and make the operation more reliable.

Optimized design, safe operation

Easy maintenance, long running life

直锥形吸水室，速度场均匀，水力损失小，吸水室加导向板，减小液流周向旋量，降低水头损失，提高效率。

叶轮优化设计，开式、半开式、两叶片可选，高效范围宽，输送介质适应性广，提高泵型通用性，降低成本。

叶轮后叶片设计，减小轴向力，保持介质固相远离机封腔，提高机封使用寿命。

Straight tapered suction chamber, uniform velocity field, small hydraulic loss, suction chamber and guide plate, reduce the amount of liquid flow circumferential rotation, reduce head loss and improve efficiency.

optimization design impeller, there are open, semi-open and two-blade impeller to choose from. Wide range of efficiency and application, improve the general use of pump.

Back vane design, reduce axial force, keep the solid in the medium from sealing cavity, improve the service life of mechanical seal.



合同试验， 保证泵性能的满足

本公司依据合同和标准执行以下测试：

静水压试验

试验基于常温清水，压力为基本设计压力的1.5倍，保压10分钟。

性能试验

依据ISO9906标准测量，试验精度II类，验收类2B。

NPSH试验

依据ISO5199标准测量。

振动试验

依据ISO5199进行振动试验，泵的振动烈度级别控制在A级。

温度测量

在工作温度下，对轴承温升进行测量，测量的结果记录在案。

材料检验

零部件材质检验，铸件无损检测，保证整机可靠性。

*Order-related tests,
confirm the performance of pump conform*

The company carries out the tests below as standard:

Hydrostatic pressure test

Hydrostatic pressure test based on clean water at ambient temperature, test pressure is 1.5 times on design pressure.

Performance test

Measurement according to ISO9906, accuracy class II, acceptance class 2B.

NPSH test

According to ISO5199 standard.

Vibration test

According to ISO5199, vibration lightness level is controlled at class A.

Temperature test

Test the temperature rise of bearing, and keep records.

Raw material inspect

Spare and casting parts inspection, to ensure the reliability of the whole machinery.



订货须知

Notice to Order

(一) 配用电机的额定输出功率与泵的额定轴功率之比应按照下列的百分数：

轴功率	百分比%
22kW以下	125%
(22~75)kW	115%
75kW以上	115%

The ratio of the motor's rated power to the pump's shaft power should be the following:

The shaft power of the pump	the ratio (%)
Below 22kW	125%
(22-75)kW	115%
Above 75kW	115%

(二) 订货时按《泵工作条件》详细填写。

When ordering, please fill in the table "Working conditions of the pump".

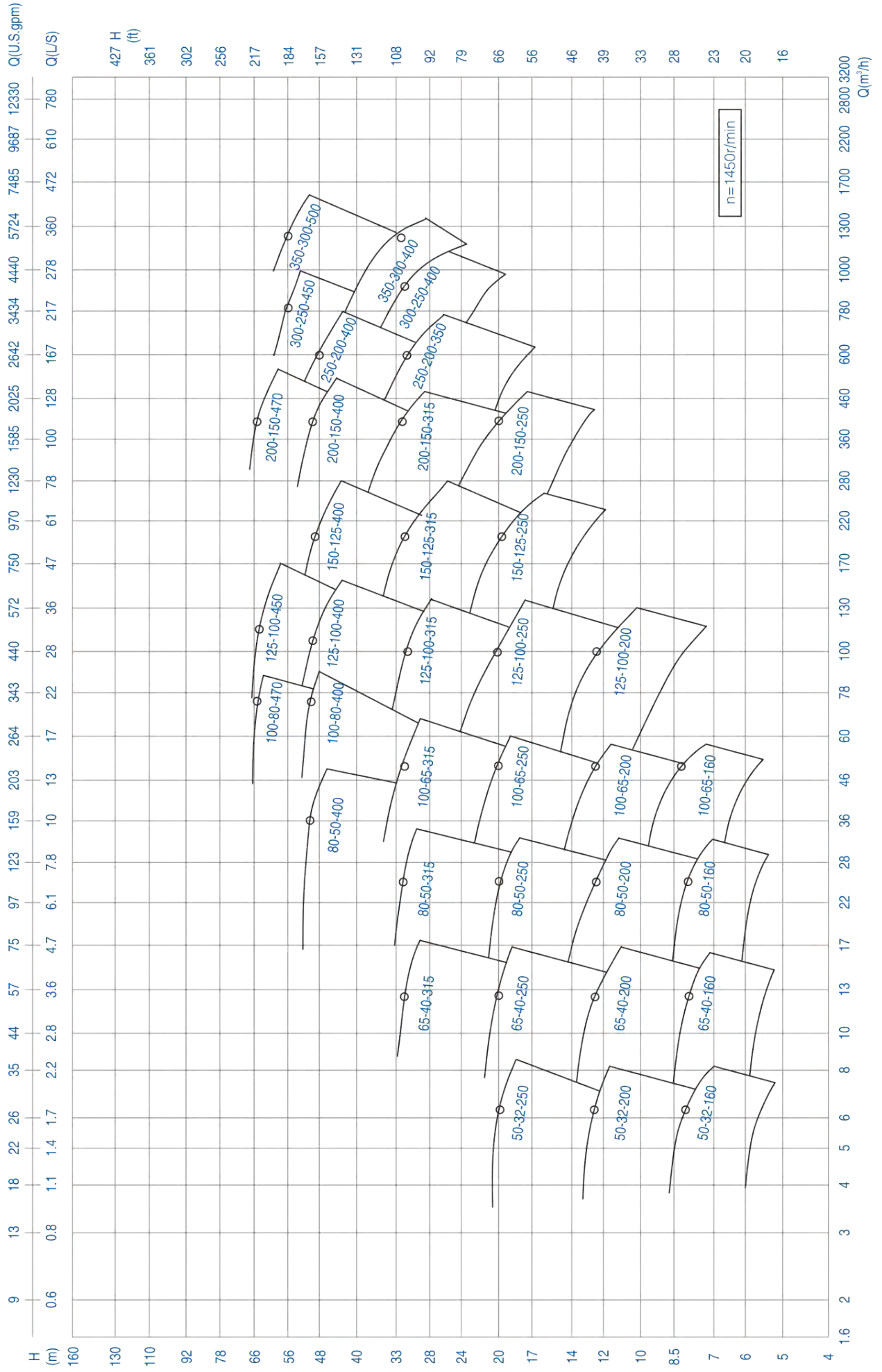
(三) 保修条款只有在使用本公司原厂备件时才有法律效力。

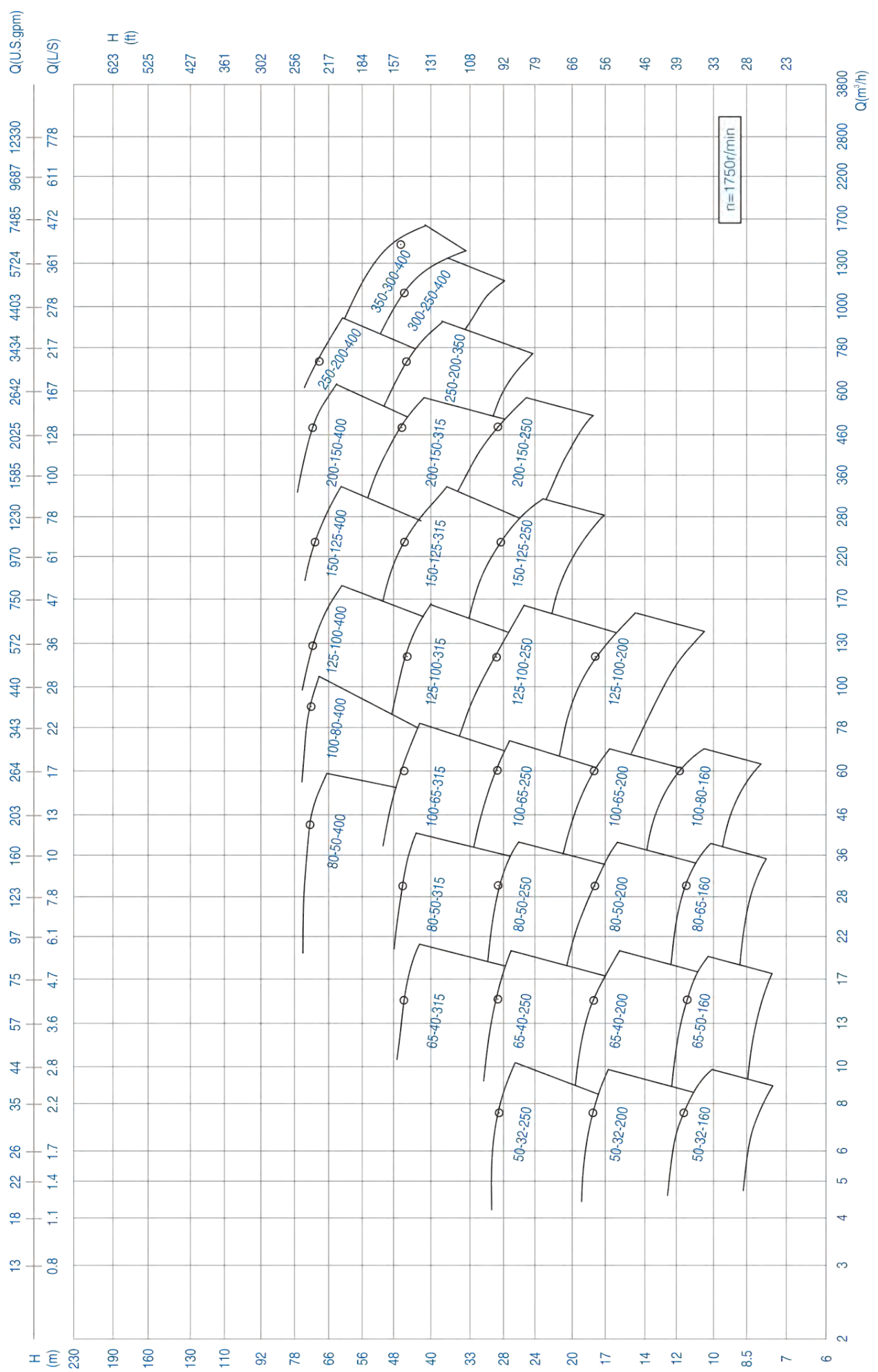
Warranty is valid only when genuine spare parts of our company are used.

泵工作条件 Working Conditions of the Pump

工作条件 Operating conditions				输送介质 Pumped fluid				
流量 Capacity	m ³ /h	最大 Max	额定 Rated	最小 Min	介质 1 Media	最大比例 Max ratio	最小比例 Min ratio	%
扬程 Total head	m	最大 Max	额定 Rated	最小 Min	介质 2 Media	最大比例 Max ratio	最小比例 Min ratio	%
进口压力 Suction pressure	MPa	最大 Max	额定 Rated	最小 Min	介质 3 Media	最大比例 Max ratio	最小比例 Min ratio	%
出口压力 Discharge pressure	MPa	最大 Max	额定 Rated	最小 Min	固体 Solid	含量 (湿基) Content (humidity) Wt %		
必需汽蚀余量 NPSH required	m					粒度直径 Particle diameter mm		
操作条件 Operating conditions	连续 Continuous		间断 Intermittent			纤维长度 Fiber length mm		
现场资料和公用事业条件 Spot conditions					介质特性 Medium characteristics	°C	腐蚀 Corrosion	磨(冲)蚀 Abrasion
位置 Position					泵送温度 Operation temp	最大 Max	正常 Normal	最小 Min
室内 Indoor	有采暖 With heating		有遮棚 With shield		密度 Density	在操作温度下 Under operating temp kg/m ³		
室外 Outdoor	无采暖 Without heating		无遮棚 Without shield		粘度 Viscosity	在操作温度下 Under operating temp mPa.s		
必须的防寒气候条件 Requirement of Cold-proof					汽化压力 Vapor pressure	在操作温度下 Under operating temp MPa(A)		
必须的耐湿热气候条件 Requirement of Damp-heat-proof					比热 Specific heat	kcal/kg°C		
现场资料 Site condition					氯化物浓度 Concentration of chloride	PPM		
海拔高度 Altitude	m				H2S(硫化氢)浓度 Concentration of H2S	PPM		
大气压力 Atmosphere pressure	kPa				危险程度 Hazardous liquid	易燃 Flammable	易爆 Explosive	有毒 Toxic
相对湿度 Relative humidity	最大 Max	最小 Min	%		挥发特性 Volatile characteristics	易 Easy	不易 Not easy	
环境温度范围 Ambient temp. Range	°C				沸点 Boiling point	°C		
异常条件 Abnormal conditions	粉尘 Dust	烟雾 Smoking			结晶温度 Crystallization temp	°C		
危险区域 Electrical classification	类 Class	级 Division	组 Group		熔点 Smelting point	°C		
电源 Power source	伏特 Volt	赫兹 Hz	相 Phase		闪点 Point of flammability	°C		
冷却水 Cooling water	温度 Temp	°C	压力 Pressure	MPa	相溶的液体 Compatible liquid			
	氯化物浓度 Chloride concentration PPM				相溶的橡胶 Compatible rubber			
仪表压缩空气 Compressed air of instrument	最大/最小压力 Max / Min. Pressure /MPa				临界温度 Critical temp	°C		
传动方式 Driving way					临界压力 Critical pressure	MPa		
联轴器 Coupling type					其它 Other			

性能范围 Performance range





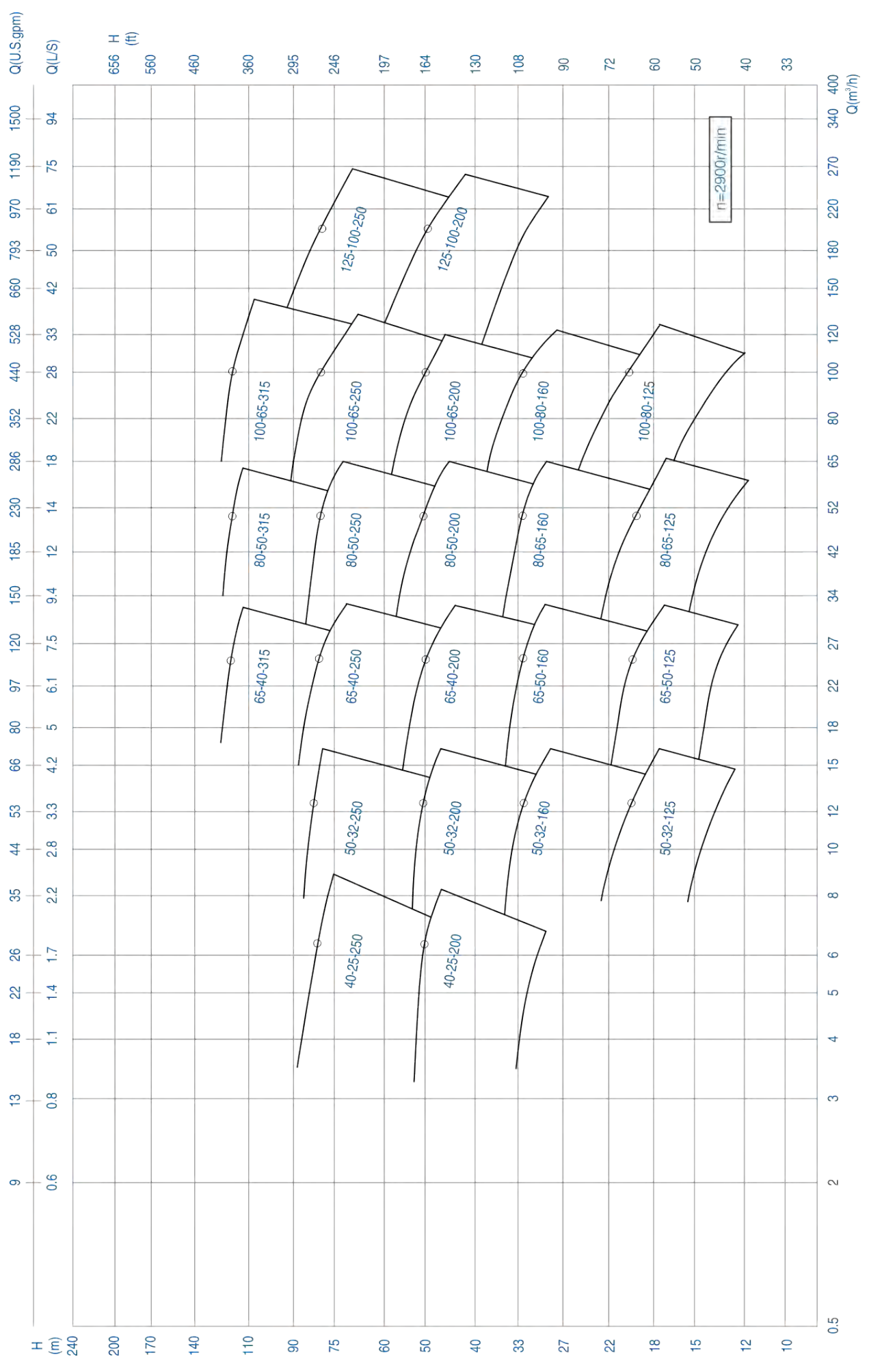
H (m) 230 190 160 130 110 92 78 66 56 48 40 33 28 24 20 17 14 12 10 8.5 6

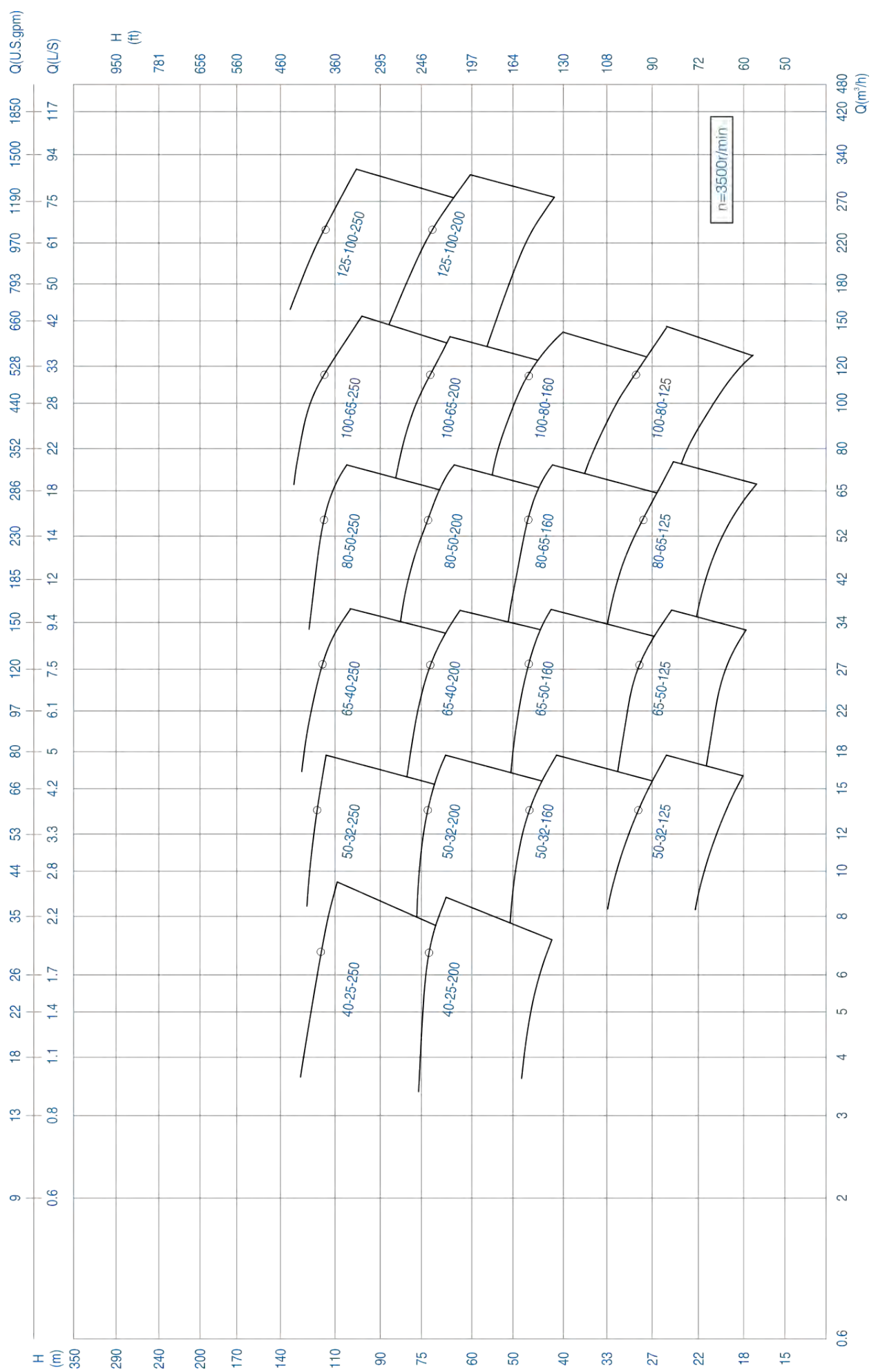
H (ft) 623 525 427 361 302 256 217 184 157 131 108 92 79 66 56 46 39 33 28 23

Q (U.S.gpm) 13 18 22 26 35 44 57 75 97 123 160 203 264 343 440 572 750 970 1230 1585 2025 2642 3434 4403 5724 7485 9687 12330

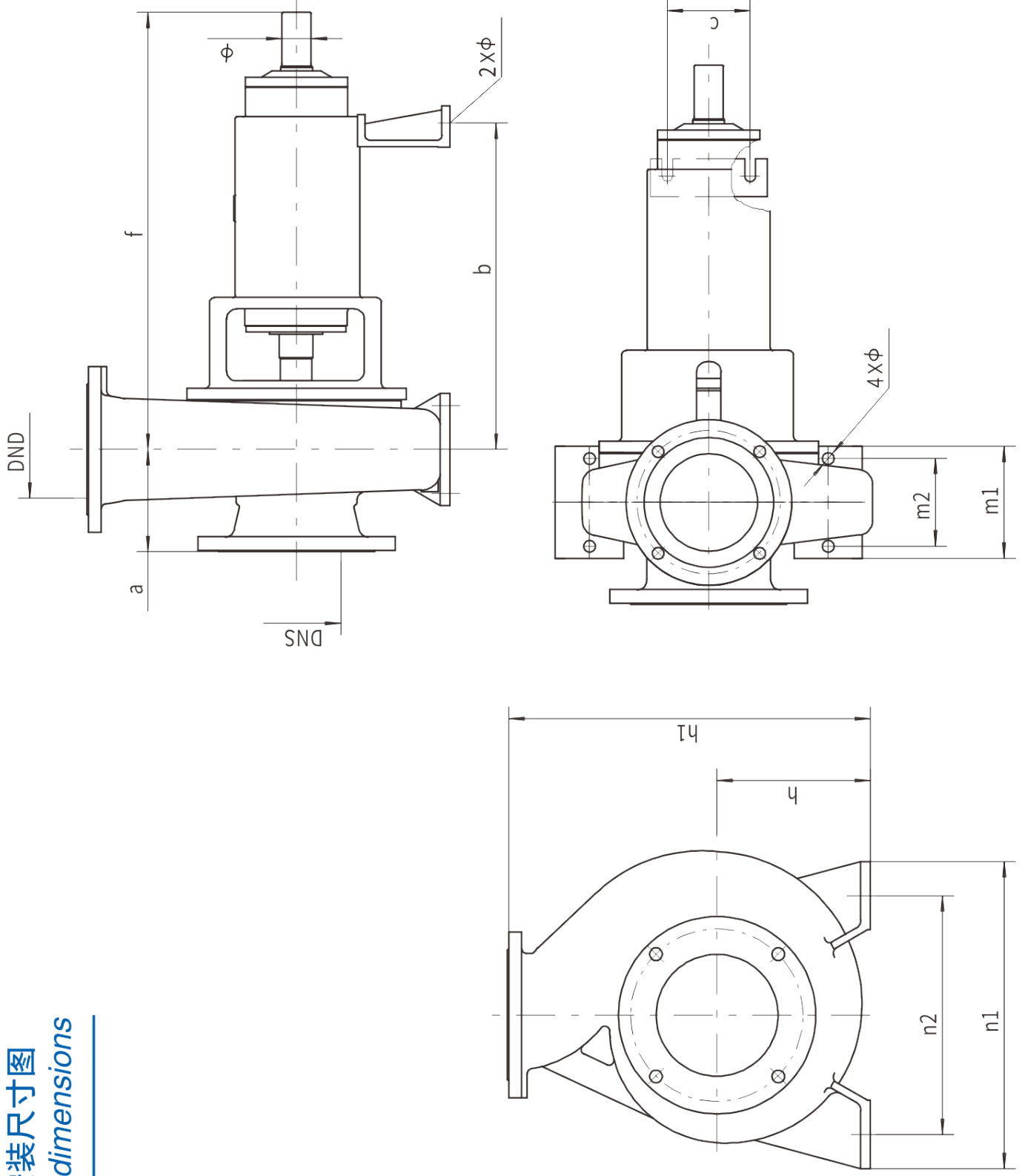
Q (US) 0.8 1.1 1.4 1.7 2.2 2.8 3.6 4.7 6.1 7.8 10 13 17 22 28 36 46 60 78 100 130 170 220 280 360 460 600 780 1000 1300 1700 2200 2800 3800

$n = 1750 \text{ min}^{-1}$





泵头安装尺寸图
Pump dimensions

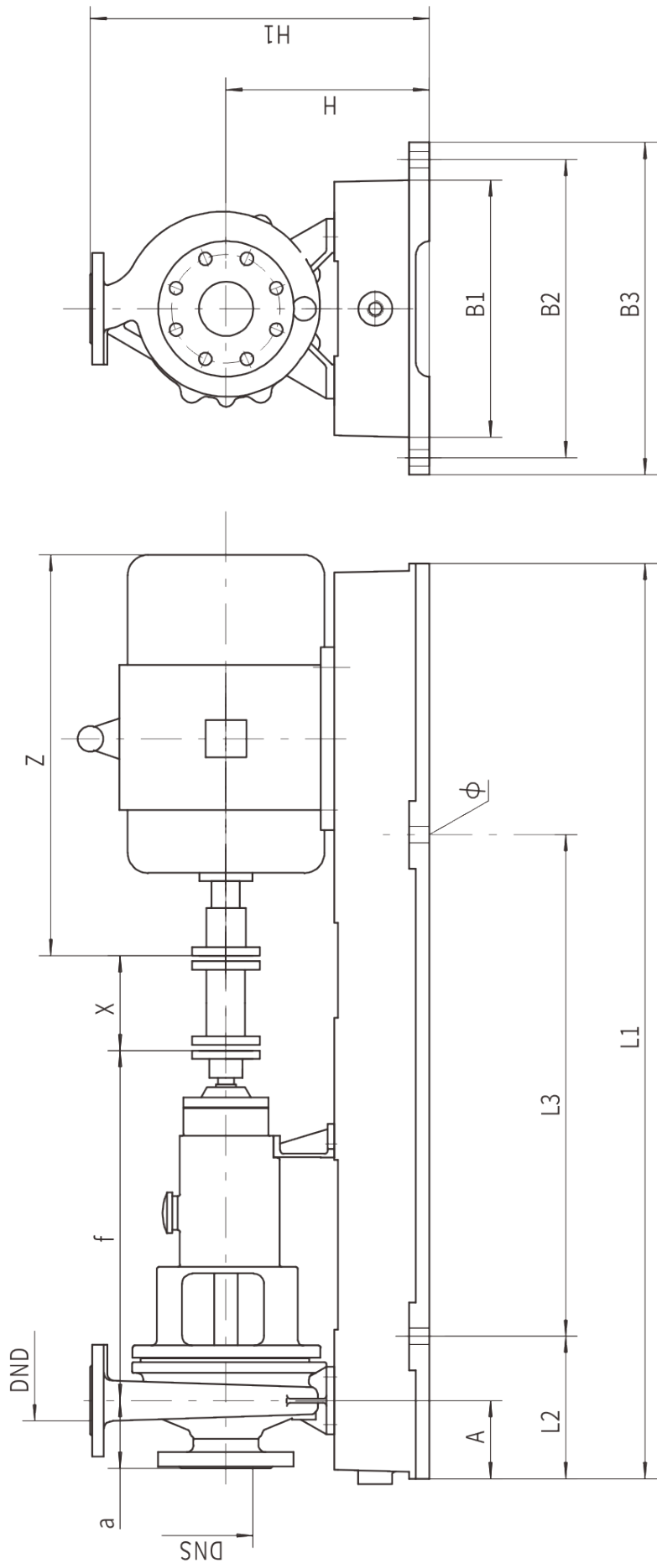


型号 Pump Mode	DNS	DND	h	h1	n1	n2	m1	m2	4*φ	b	c	2*φ	a	f	φ
AZ40-25-200	40	25	160	330	240	190				389			84	491	
AZ40-25-250	40	25	180	400	320	270							90	491	φ20
AZ50-32-125	50	32	112	252	190	140				410			100	491	
AZ50-32-160	50	32	132	297	240	190				380			110	513	
AZ50-32-200	50	32	160	355	240	190							110	513	
AZ65-40-200	65	40	160	340	265	212	100	70		384			105	517	
AZ65-50-125	65	50	112	252	210	160				422	110		110	513	φ24
AZ65-50-160	65	50	132	292	240	190							90	513	
AZ80-65-125	80	65	160	340	265	212			φ14	380		φ14	115	513	
AZ80-65-160	80	65	160	340	265	212							114	513	
AZ100-80-125	100	80	160	355	280	212							125	513	
AZ50-32-250	50	32	180	400	280	212				465			100	631	
AZ65-40-250	65	40	180	400	280	212				463			110	629	
AZ80-50-200	80	50	180	380	320	250	125	95		471	130		100	637	φ32
AZ80-50-250	80	50	180	405	320	250				469			124	635	
AZ100-65-200	100	65	180	405	320	250							115	635	
AZ100-80-160	100	80	160	360	280	212				465			130	631	

型号 Pump Model	DNS	DND	h	h1	n1	n2	m1	m2	4*φ	b	c	2*φ	a	f	φ
AZ100-65-250	100	65	200	450	360	280				469			125	635	
AZ125-80-200	125	80	180	430	360	280				465			135	631	φ32
AZ125-100-200	125	100	200	480	360	280				469			125	635	
AZ100-65-315	100	65	225	505	400	315	160		φ18	573			125	808	
AZ125-100-250	125	100	225	505	400	315		120					140	805	
AZ125-100-315	125	100	250	570	400	315							140	805	
AZ150-125-250	150	125	250	605	400	315				570	130		145	805	
AZ280-50-400	80	50	280	640	500	400	170					φ19	140	805	φ48
AZ125-100-400	125	100	280	635	500	400				580			155	815	
AZ150-125-315	150	125	280	635	500	400							150	805	
AZ150-125-400	150	125	315	715	500	400				570			140	805	
AZ200-150-250	200	150	315	715	560	450	200	150	φ24	596			180	831	
AZ125-100-450	125	100	315	715	560	450				669			145	914	
AZ200-150-315	200	150	315	725	550	450							170	918	
AZ200-150-400	200	150	315	765	550	450				673	170	φ22	165	918	φ60
AZ300-250-400	300	250	360	860	700	550							250	937	
AZ350-300-400	350	300	380	920	700	550	260	200	φ26	692			285	937	

整泵安装尺寸图

Baseplate dimensions



- 1) 基于膜片联轴器，常规Y系列电动机；
1) based on diaphragm couplings, conventional Y series motors;
- 2) 具体安装详见公司施工图。
2) specific installation details see company construction drawings.

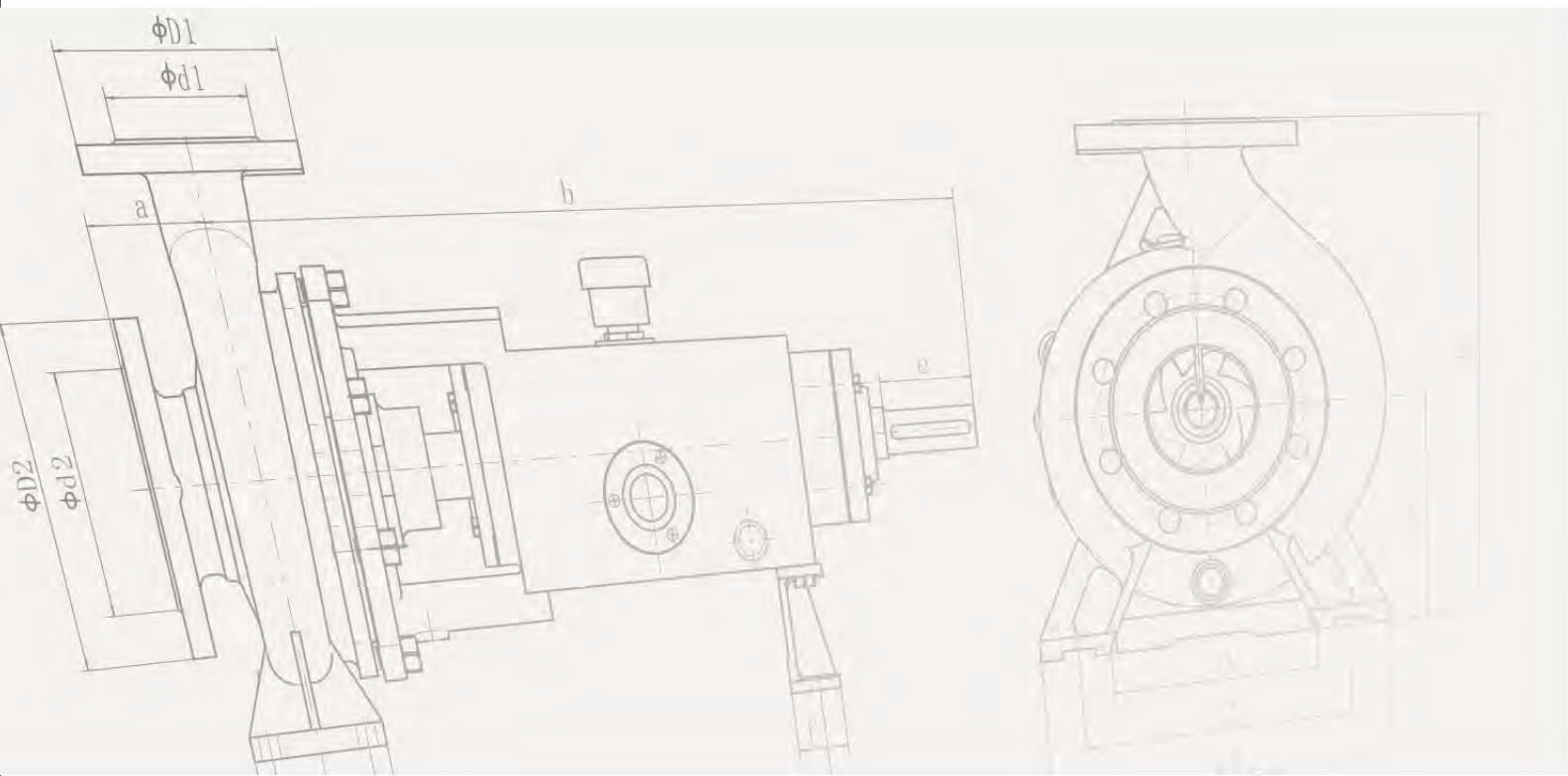
型号 Pump Model	配用电机 Matched Motor	底座 Base	DNS	DND	L1	L2	L3	B1	B2	B3	H	H1	A	a	f	X	Z	φ
AZ40-25-200	Y132S-2/5.5, 2/7.5	4-6	40	25	1260	190	660	340	400	450	285	455	110	84	491	140	510	4*φ24
AZ40-25-200	Y160M-2/11, 2/15	6-7	40	25	1540	225	840	410	490	550	320	490	140	84	491	140	670	4*φ28
AZ40-25-250	Y132S-2/5.5, 2/7.5	4-6	40	25	1260	190	660	340	400	450	305	525	110	90	491	140	510	4*φ24
AZ40-25-250	Y160M-2/11, 2/15	5-19	40	25	1350	210	740	380	440	500	320	540	120	90	491	140	670	4*φ24
AZ50-32-125	Y112M-2/4	3-3	50	32	1050	170	600	280	350	400	237	377	70	100	491	140	470	4*φ18
AZ50-32-125	Y132S-2/5.5, 2/7.5	4-8	50	32	1320	220	660	340	400	450	302	442	80	100	491	140	510	4*φ24
AZ50-32-160	Y100L-2/3	3-3	50	32	1050	170	600	280	350	400	257	422	90	110	513	140	435	4*φ18
AZ50-32-160	Y112M-2/4	4-6	50	32	1260	190	660	340	400	450	257	422	80	110	513	140	470	4*φ24
AZ50-32-200	Y132S-2/5.5, 2/7.5	4-6	50	32	1260	190	660	340	400	450	285	480	80	110	513	140	510	4*φ24
AZ50-32-200	Y160M-2/11, 2/15	6-7	50	32	1540	225	840	410	490	550	320	515	140	110	513	140	670	4*φ28
AZ50-32-250	Y160M-2/11, 2/15	6-7	50	32	1540	225	840	410	490	550	340	560	100	100	631	140	670	4*φ28
AZ50-32-250	Y160L-2/18.5	6-7	50	32	1540	225	840	410	490	550	340	560	100	100	631	140	700	4*φ28
AZ65-40-200	Y132S-2/5.5, 2/7.5	4-6	65	40	1260	190	660	340	400	450	285	465	80	105	517	140	510	4*φ24
AZ65-40-200	Y160M-2/11, 2/15	6-7	65	40	1540	225	840	410	490	550	320	500	140	105	517	140	670	4*φ28
AZ65-40-250	Y160M-2/11, 2/15	6-7	65	40	1540	225	840	410	490	550	340	560	100	110	635	140	670	4*φ28
AZ65-40-250	Y160L-2/18.5	6-7	65	40	1540	225	840	410	490	550	340	560	100	110	635	140	700	4*φ28
AZ65-40-250	Y180M-2/22	6-7	65	40	1540	225	840	410	490	550	340	560	100	110	635	140	740	4*φ28
AZ65-50-125	Y100L-2/3	3-3	65	50	1050	170	600	280	350	400	237	377	80	110	513	140	435	4*φ18

型号 Pump Model	配用电机 Matched Motor	底座 Base	DNS	DND	L1	L2	L3	B1	B2	B3	H	H1	A	a	f	X	Z	φ
AZ65-50-125	Y112M-2/4	4-6	65	50	1260	190	660	340	400	450	237	377	80	110	513	140	470	4*φ24
AZ65-50-125	Y132S-2/5.5, 2/7.5	4-8	65	50	1320	220	660	340	400	450	302	442	80	110	513	140	510	4*φ24
AZ65-50-160	Y132S-2/5.5, 2/7.5	4-6	65	50	1260	190	660	340	400	450	257	417	80	89	513	140	510	4*φ24
AZ65-50-160	Y160M-2/11, 2/15	4-8	65	50	1320	220	660	340	400	450	322	482	80	89	513	140	670	4*φ24
AZ80-50-200	Y160M-2/11, 2/15	6-7	80	50	1540	225	840	410	490	550	340	540	100	100	637	140	670	4*φ28
AZ80-50-200	Y160L-2/18.5	6-7	80	50	1540	225	840	410	490	550	340	540	100	100	637	140	700	4*φ28
AZ80-50-200	Y180M-2/22	6-7	80	50	1540	225	840	410	490	550	340	540	100	100	637	140	740	4*φ28
AZ80-50-250	Y180M-2/22	6-7	80	50	1540	225	840	410	490	550	340	565	100	125	635	140	740	4*φ28
AZ80-50-250	Y200L-2/30, 2/37	7-10	80	50	1620	260	940	460	550	620	360	585	95	125	635	140	790	4*φ28
AZ80-50-250	Y225M-2/45	7-11	80	50	1620	260	940	460	550	610	370	595	110	125	635	180	855	4*φ28
AZ80-50-400	Y160M-4/11	8-15	80	50	1840	300	600/600	510	600	664	480	840	140	140	805	140	670	6*φ28
AZ80-50-400	Y160L-4/15	8-15	80	50	1840	300	600/600	510	600	664	480	840	140	140	805	140	700	6*φ28
AZ80-65-125	Y132S-2/5.5, 2/7.5	4-6	80	65	1260	190	660	340	400	450	285	455	80	115	513	140	510	4*φ24
AZ80-65-125	Y160M-2/11, 2/15	6-7	80	65	1540	225	840	410	490	550	320	490	140	115	513	140	670	4*φ28
AZ80-65-160	Y160M-2/11, 2/15	6-7	80	65	1540	225	840	410	490	550	320	500	140	114	513	140	670	4*φ28
AZ80-65-160	Y160L-2/18.5	6-7	80	65	1540	225	840	410	490	550	320	500	140	114	513	140	700	4*φ28
AZ100-65-200	Y180M-2/22	6-7	100	65	1540	225	840	410	490	550	340	565	100	115	635	140	740	4*φ28
AZ100-65-200	Y200L-2/30, 2/37	7-10	100	65	1620	260	940	460	550	620	360	585	95	115	635	140	790	4*φ28

型号 Pump Model	配用电机 Matched Motor	底座 Base	DNS	DND	L1	L2	L3	B1	B2	B3	H	H1	A	a	f	X	Z	φ
AZ100-65-200	Y225M-2/45	7-11	100	65	1620	260	940	460	550	610	370	595	110	115	635	180	855	4*φ28
AZ100-65-250	Y225M-2/45	7-10	100	65	1620	260	940	460	550	620	380	630	110	125	635	180	855	4*φ28
AZ100-65-250	Y250M-2/55	9-14	100	65	2120	330	600/600	580	670	730	400	650	150	125	635	180	915	6*φ28
AZ100-65-250	Y280S-2/75	9-17	100	65	2120	330	600/600	580	670	730	445	695	160	125	635	180	985	6*φ28
AZ100-65-315	Y160M-4/11	7-12	100	65	1620	260	940	460	550	610	405	685	120	125	635	140	670	4*φ28
AZ100-65-315	Y160L-4/15	8-15	100	65	1840	300	600/600	510	600	664	425	705	120	125	635	140	700	6*φ28
AZ100-65-315	Y180M-4/18.5	8-13	100	65	1840	300	600/600	510	600	664	425	705	120	125	635	140	740	6*φ28
AZ100-80-125	Y132S-2/5.5, 2/7.5	4-6	100	80	1260	190	660	340	400	450	285	470	95	125	513	140	510	4*φ24
AZ100-80-125	Y160M-2/11, 2/15	6-7	100	80	1540	225	840	410	490	550	320	505	140	125	513	140	670	4*φ28
AZ100-80-125	Y160L-2/18.5	6-7	100	80	1540	225	840	410	490	550	320	505	140	125	513	140	700	4*φ28
AZ100-80-160	Y160M-2/11, 2/15	6-7	100	80	1540	225	840	410	490	550	320	520	100	130	631	140	670	4*φ28
AZ100-80-160	Y160L-2/18.5	6-7	100	80	1540	225	840	410	490	550	320	520	100	130	631	140	700	4*φ28
AZ100-80-160	Y180M-2/22	7-10	100	80	1620	260	940	460	550	620	340	540	110	130	631	140	740	4*φ28
AZ125-80-200	Y200L-2/30, 2/37	7-10	125	80	1620	260	940	460	550	620	360	600	110	135	631	140	790	4*φ28
AZ125-80-200	Y225M-2/45	7-11	125	80	1620	260	940	460	550	610	370	610	110	135	631	180	855	4*φ28
AZ125-80-200	Y250M-2/55	9-17	125	80	2120	330	600/600	580	670	730	425	665	160	135	631	180	915	6*φ28
AZ125-100-200	Y225M-2/45	7-10	125	100	1620	260	940	460	550	620	380	660	110	125	635	180	855	4*φ28
AZ125-100-200	Y250M-2/55	9-14	125	100	2120	330	600/600	580	670	730	400	680	130	125	635	180	915	6*φ28

型号 Pump Model	配用电机 Matched Motor	底座 Base	DNS	DND	L1	L2	L3	B1	B2	B3	H	H1	A	a	f	X	Z	φ
AZ125-100-200	Y280S-2/75	9-17	125	100	2120	330	600/600	580	670	730	445	725	160	125	635	180	985	6*φ28
AZ125-100-250	Y160M-4/11	7-12	125	100	1620	260	940	460	550	610	405	685	120	140	805	140	670	4*φ28
AZ125-100-250	Y160L-4/15	8-15	125	100	1840	300	600/600	510	600	664	425	705	120	140	805	140	700	6*φ28
AZ125-100-250	Y180L-4/22	8-13	125	100	1840	300	600/600	510	600	664	425	705	120	140	805	180	790	6*φ28
AZ125-100-315	Y180M-4/18.5	8-15	125	100	1840	300	600/600	510	600	664	450	760	140	140	805	140	740	6*φ28
AZ125-100-315	Y180L-4/22	8-15	125	100	1840	300	600/600	510	600	664	450	760	140	140	805	180	790	6*φ28
AZ125-100-315	Y200L-4/30	8-13	125	100	1840	300	600/600	510	600	664	450	760	120	140	805	180	790	6*φ28
AZ125-100-400	Y200L-4/30	8-15	125	100	1840	300	600/600	510	600	664	480	835	140	155	815	180	790	6*φ28
AZ125-100-400	Y225S-4/37	8-15	125	100	1840	300	600/600	510	600	664	480	835	140	155	815	180	830	6*φ28
AZ125-100-400	Y225M-4/45	8-15	125	100	1840	300	600/600	510	600	664	480	835	140	155	815	180	855	6*φ28
AZ125-100-450	Y225S-4/37	9-16	125	100	2120	330	600/600	580	670	730	515	915	140	145	914	180	830	6*φ28
AZ125-100-450	Y225M-4/45	9-16	125	100	2120	330	600/600	580	670	730	515	915	140	145	914	180	855	6*φ28
AZ150-125-250	Y180M-4/18.5	8-15	150	125	1840	300	600/600	510	600	664	450	805	120	145	805	140	740	6*φ28
AZ150-125-250	Y180L-4/22	8-15	150	125	1840	300	600/600	510	600	664	450	805	120	145	805	180	790	6*φ28
AZ150-125-250	Y200L-4/30	8-15	150	125	1840	300	600/600	510	600	664	450	805	120	145	805	180	790	6*φ28
AZ150-125-315	Y200L-4/30	8-15	150	125	1840	300	600/600	510	600	664	480	835	140	150	805	180	790	6*φ28
AZ150-125-315	Y225S-4/37	8-15	150	125	1840	300	600/600	510	600	664	480	835	140	150	805	180	830	6*φ28
AZ150-125-315	Y225M-4/45	8-15	150	125	1840	300	600/600	510	600	664	480	835	140	150	805	180	855	6*φ28

型号 Pump Model	配用电机 Matched Motor	底座 Base	DNS	DND	L1	L2	L3	B1	B2	B3	H	H1	A	a	f	X	Z	φ
AZ150-125-400	Y225M-4/45	8-15	150	125	125	300	600/600	510	600	664	515	915	140	140	805	180	855	6*φ28
AZ150-125-400	Y250M-4/55	9-16	150	125	125	330	600/600	580	670	730	515	915	140	140	805	180	915	6*φ28
AZ150-125-400	Y280S-4/75	9-16	150	125	125	330	600/600	580	670	730	515	915	140	140	805	180	985	6*φ28
AZ200-150-250	Y225S-4/37	9-16	200	150	150	330	600/600	580	670	730	515	915	140	180	831	180	830	6*φ28
AZ200-150-250	Y225M-4/45	9-16	200	150	150	330	600/600	580	670	730	515	915	140	180	831	180	855	6*φ28
AZ200-150-250	Y250M-4/55	9-16	200	150	150	330	600/600	580	670	730	515	915	140	180	831	180	915	6*φ28
AZ200-150-315	Y250M-4/55	9-16	200	150	150	330	600/600	580	670	730	515	925	140	170	918	180	915	6*φ28
AZ200-150-315	Y280S-4/75	9-16	200	150	150	330	600/600	580	670	730	515	925	140	170	918	180	985	6*φ28
AZ200-150-315	Y280M-4/90	9-16	200	150	150	330	600/600	580	670	730	515	925	140	170	918	180	1035	6*φ28
AZ200-150-400	Y280M-4/90	10-16	200	150	150	375	750/750	660	750	810	515	965	160	165	918	180	1035	6*φ28
AZ200-150-400	Y315S-4/110	10-16A	200	150	150	375	750/750	660	750	810	515	965	160	165	918	180	1290	6*φ28
AZ200-150-400	Y315L1-4/160	10-16A	200	150	150	375	750/750	660	750	810	515	965	160	165	918	180	1320	6*φ28
AZ300-250-400	Y315S-4/110	12-1	300	250	250	375	900/900	800	920	990	560	1060	190	250	937	180	1290	6*φ28
AZ300-250-400	Y315M-4/132	12-1	300	250	250	375	900/900	800	920	990	560	1060	190	250	937	180	1320	6*φ28
AZ300-250-400	Y315L1-4/160	12-1	300	250	250	375	900/900	800	920	990	560	1060	190	250	937	180	1320	6*φ28
AZ350-300-400	Y315L1-4/160	12-1	350	300	300	375	900/900	800	920	990	580	1120	210	285	937	180	1320	6*φ28
AZ350-300-400	Y355L1-4/220	12-1B	350	300	300	375	900/900	800	920	980	580	1120	210	285	937	180	1320	6*φ28



杭州碱泵有限公司
HANGZHOU ALKALI PUMP CO.,LTD.
浙江华泵科技有限公司
HB PUMP CO., LTD.

销售部电话: 0571-89905601/89905603
销售部传真: 0571-89905602
E-mail:sales@hbgroups.com
<http://www.hbgroups.com>
地址: 杭州市三墩镇西湖科技园西园五路12号
邮编: 310030

International Clients
Tel:+86 571 89900102
Fax:+86 571 89905602
E-mail: overseas@hbgroups.com
<http://www.hbgroups.com>
Add:No.12 Xiyuan 5 Road, Westlake Science & Technology
Zone, Sandun Town, Hangzhou
Post code: 310030

版本号: 2019.01

